

OGG protection tube is a part of measuring installation, where a sensing element (temperature sensor) is installed by means of a threaded connector. Protection tube is mounted by means of a threaded connector with a male thread. It is manufactured in accordance with individual client requirements.

### Specification

#### Material\*

stainless steel 1.4541

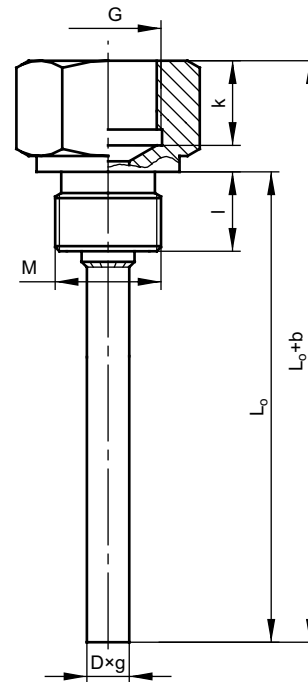
#### Dimensions\*

D x g	G	k	M <sub>min</sub>	SW	l	b
8 x 0,6 9 x 1 10 x 1,5 11 x 2 12 x 1,5 14 x 2 15 x 2	M10 x 1	11	M15 x 1,5 G 3/8	24	15	15
	M12 x 1(1,5)					18
	G 1/4	14	M18 x 1,5	27	15	18
	M14 x 1,5					
	M16 x 1,5	14	M20 x 1,5 G 1/2	27	15	18
	G 3/8					
	M18 x 1,5 M20 x 1,5 G 1/2	16	M27 x 2 G 3/4	36	20	29

Dimensions for G ≥ M acc. to requirements

Protection tube length L<sub>0</sub> [mm] = 50+2000

\*Other parameters acc. to requirements



### Product code

		<b>Tube dimension D</b>	
1	<input type="text"/>	14	14mm
			other parameters acc. to requirements
		<b>Thread dimension M</b>	
2	<input type="text"/>	M20x1,5	M20x,15
			other parameters acc. to requirements
		<b>Thread dimension G</b>	
3	<input type="text"/>	G 1/4	G 1/4
			other parameters acc. to requirements
		<b>Protection tube length L<sub>0</sub></b>	
4	<input type="text"/>	150	150mm
			other parameters acc. to requirements

#### Note:

To order thermowell for sensor with immersion length L  
 L, L<sub>0</sub> = L - 20 for G ≥ M18 x 1,5  
 L<sub>0</sub> = L - 16 for M12 x 1 < G < M18 x 1,5  
 L<sub>0</sub> = L - 13 for G = M10 x 1

1 2 3 4  
 OGG -  -  -  -

Ordering example:

Protection Tube OG-8-G 1/2-60