

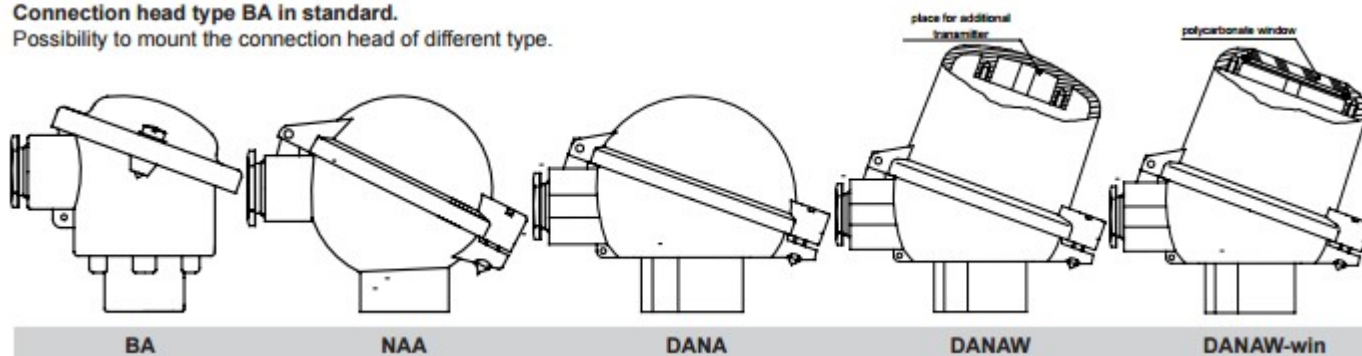
Tolerancia pre termočlánky (podľa normy EN60584): Class 1

Typ termočlánku	Merací rozsah:	Tolerancia:
J - Fe-CuNi	od -40 do +375 od +375 do +750	$\pm 1,5$ $\pm 0,004 t $
K - NiCr-NiAl	od -40 do +375 od +375 do +1000	$\pm 1,5$ $\pm 0,004 t $

Typy hlavíc:

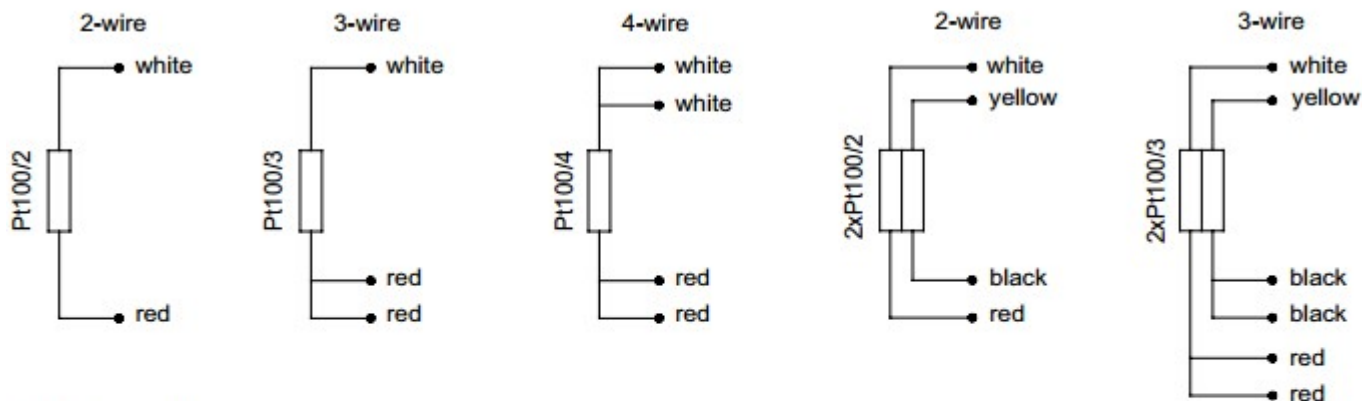
Connection head type BA in standard.

Possibility to mount the connection head of different type.

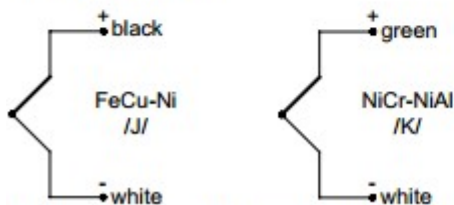


Schémy zapojenia snímačov:

Pt100 (thermometric resistor)



TC (thermocouple)



In double sensors one of thermocouples is additionally marked out.

Product code

0	<input type="text"/>	Sensor version	
		AP	with transmitter (dla Pt100)
		no designation	single with pipe insert
		2	double with pipe insert (dla d ≥ 8mm)
1	<input type="text"/>	P	single with mineral insulated insert
		2P	double with mineral insulated insert
		Sensing element	
2	<input type="text"/>	OP	resistor Pt
		TJ	thermocouple Fe-CuNi /J/
		TK	thermocouple NiCr-NiAl /K/
			other parameters acc. to requirements
3	<input type="text"/>	Thermocouple hot junction type	
		SO	insulated hot junction
		SP	grounded hot junction
		SOA	one hot junction for two thermocouples insulated from the sheath
		SOB	hot junctions insulated from each other and from the sheath
4	<input type="text"/>	Thermowell length	
		100	100mm
		160	160mm
		200	200mm
		250	250mm
5	<input type="text"/>		other parameters acc. to requirements
		Thermowell diameter	
		6	ø6mm
		8	ø8mm
		9	ø9mm
6	<input type="text"/>	10	ø10mm
			other parameters acc. to requirements
		Dimension of process connection thread	
		M20x1,5	metric thread M20x1,5
7	<input type="text"/>	G½	pipe thread (inch) G½
			other parameters acc. to requirements
		Accuracy	
8	<input type="text"/>	A or B	for measuring resistor
		1 or 2	for thermocouple
9	<input type="text"/>	Measurement circuit (for resistor)	
		2	2 - wire
		3	3 - wire
		4	4 - wire
10	<input type="text"/>	Transmitter type	
		LTT-03J	head mounted transmitter LTT-03J
			other parameters acc. to requirements
10	<input type="text"/>	Temperature range of transmitter	
		(0÷100°C)	transmitter configured for temperature range 0÷100°C
			other parameters acc. to requirements

0 1 2 3 4 5 6 7 8 9 10
 T GN-54 - - - - - - - - -